

## **SAS®9 Corner (Cont')**

The following lists below outline the order of precedence.

Access Control Precedence:

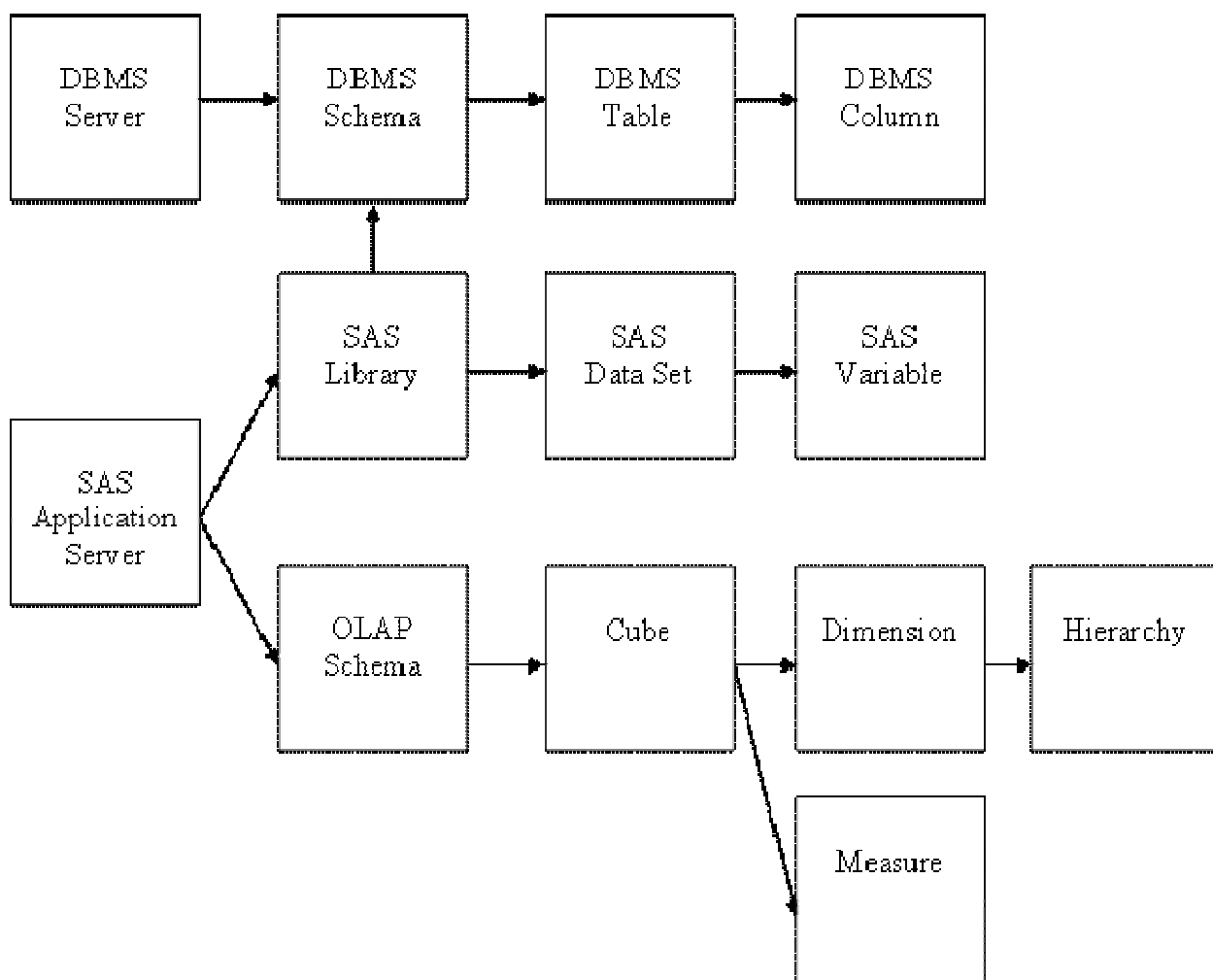
- 1) Direct Access Controls.
- 2) Access Control Entries.
- 3) Access Control Templates.
- 4) Inherited Access Controls.
- 5) Repository Level Access Controls (Default Template).

User and Group Precedence:

- 1) Your primary metadata identity is the highest precedence.
- 2) A user-defined group that has your metadata identity takes on first-level group membership.
- 3) A user-defined group that includes another group.
- 4) SASUSERS implicit group, which includes all users who have a metadata identity.
- 5) PUBLIC implicit group, which includes everyone who can access the metadata server.

The take-away from this is: Use Access Control Templates at the Library level to secure Libraries.

The exception to this rule is that DBMS libraries and OLAP cubes should have the respective Access Control Template applied to the Schema to take advantage of inheritance.



If you want more information regarding SAS Security, check out Chapter 11 of the [SAS 9.1.3 Intelligence Platform Administration Guide](#).